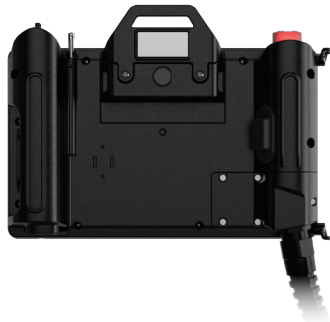
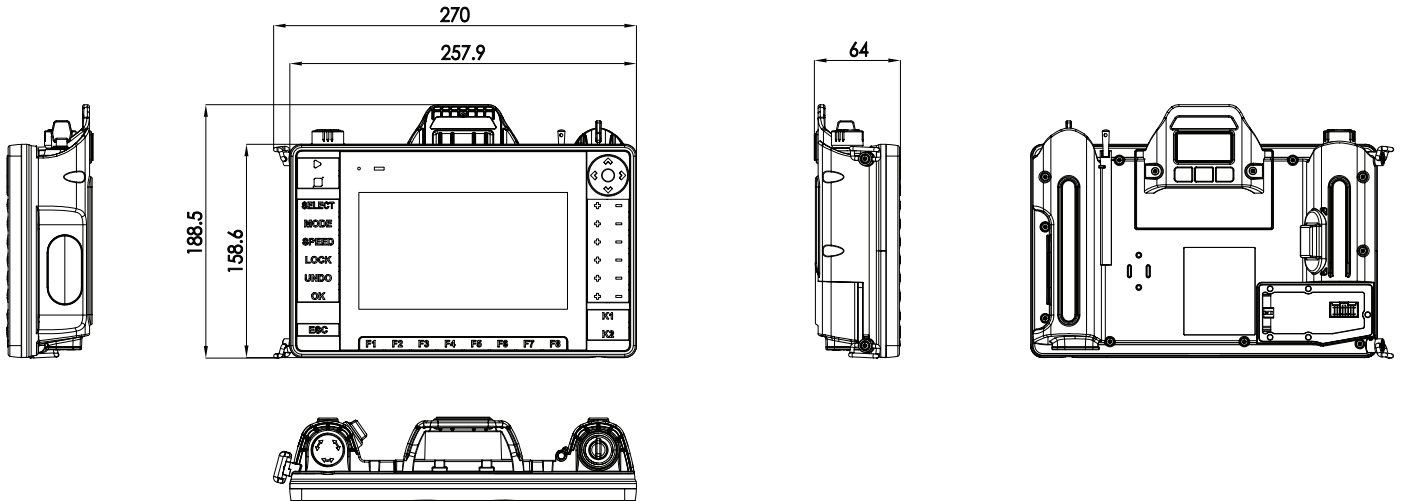


# X7 Wired - Technical Data



System Resources	
Display - Colors	7" TFT - 16M
Resolution	1024x600
Brightness	400 Cd/m <sup>2</sup> typ.
Dimming	Yes
Touchscreen	Projected Capacitive - Multitouch
CPU	64-bit Quad Core - 1.6 GHz
Operating System	Linux RT
Flash	4 GB (eMMC pSLC)
RAM	2 GB
Real Time Clock, RTC Back-up	Yes - with rechargeable battery
Safety and controls	
Emergency Stop Button	Yes, illuminated
Enabling Button	1 (3 positions)
Selector Switch	1 Optional (8 positions)
Potentiometer	2 Optional
Key switch	Yes
Interface	
Ethernet port	1 (10/100 with dedicated cable)
Serial port	1 (RS-232, RS-485, RS-422, with dedicated cable)
USB port	1 (Host V2.0, max. 100 mA)
Sensors	Temperature, 3-Axis Accelerometer, Environment Light
Status LED	1 (RGB)
Buzzer	Yes
NFC	ISO/IEC 14443A Optional
Camera	Optional
Ratings	
Power Supply	24 Vdc (19.2 to 28.8 Vdc)
Power Consumption	0,4A at 24Vdc (max 0,50A at 19.2 Vdc), Class 2
Operating Temperature	-20°C to +60°C
Storage Temperature	-20°C to +70°C
Operating / Storage Humidity	5-85% RH, non condensing
Protection Class	IP65
Approvals	
CE	Radio Equipment Directive 2014/53/EU (RED) - NFC version Electromagnetic Compatibility Directive 2014/30/EU (EMC) - without NFC version
Safety functions	SIL (IEC 61508): Emergency Stop and Enabling Device allow a SIL 3 application, depending on the final use. Selector SIL 1. Performance Level (EN ISO 13849-1): Emergency Stop and Enabling Device allow a PLe application, depending on the final use. Selector PLb.
UL	cULus: UL61010-1/UL61010-2-201



## Ordering Information

Model	Part Number	Description
X7 Wired - YE1000Y1CA1	10100540YE-0001	Mobile HMI 7" PCAP Touch, Emergency Stop, Keypad, JMobile runtime, net weight app. 1.1 Kg
Accessories Model	Part Number	Description
XCAYE0501	10500540YE-0003	X7/X10 Cable Free Wires 5m, net weight approx. 1,3 Kg
XCAYE1001	10500540YE-0004	X7/X10 Cable Free Wires 10m, net weight approx. 2,6 Kg
Xbase Wired - YE0001	10500590YE-0000	X7/X10 Connection Box, net weight approx. 0.38 Kg
XCWYE0501	10500540YE-0001	X7/X10 Conn. Circ. Cable 5 m, net weight approx. 1,5 Kg
XCWYE1001	10500540YE-0002	X7/X10 Conn. Circ. Cable 10 m, net weight approx. 2.8 Kg
Xdock - 01	10500540YE-0000	X7/X10 Wall Bracket, net weight approx. 0.060 Kg